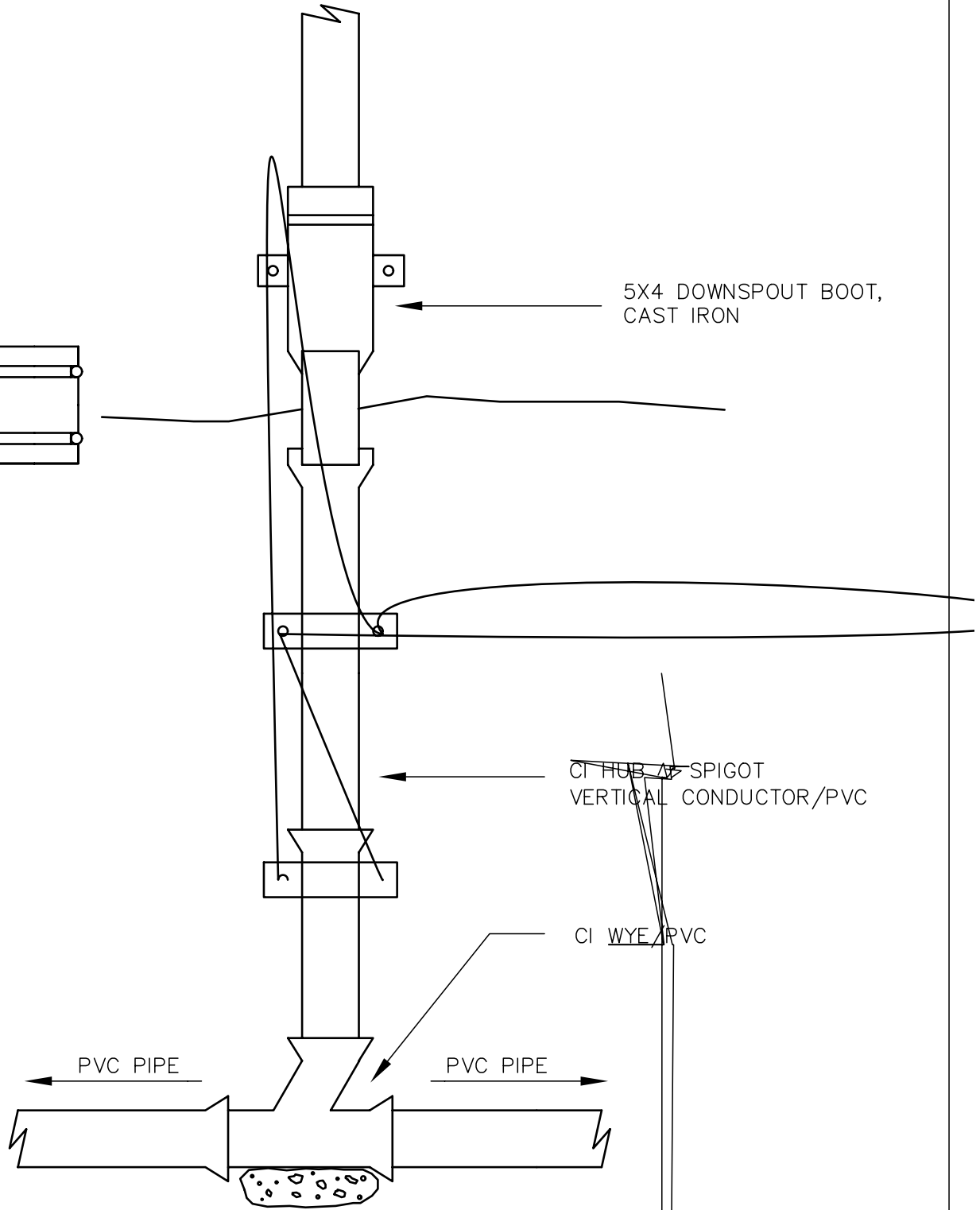
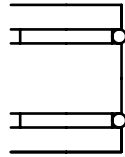


Alternate
No Hub
Connection



5X4 DOWNSPOUT BOOT,
CAST IRON

CI HUB & SPIGOT
VERTICAL CONDUCTOR/PVC

CI WYE/PVC

PVC PIPE

PVC PIPE

1	01.04.21	PROJECT NUMBER
		SHEET
DWN B		